

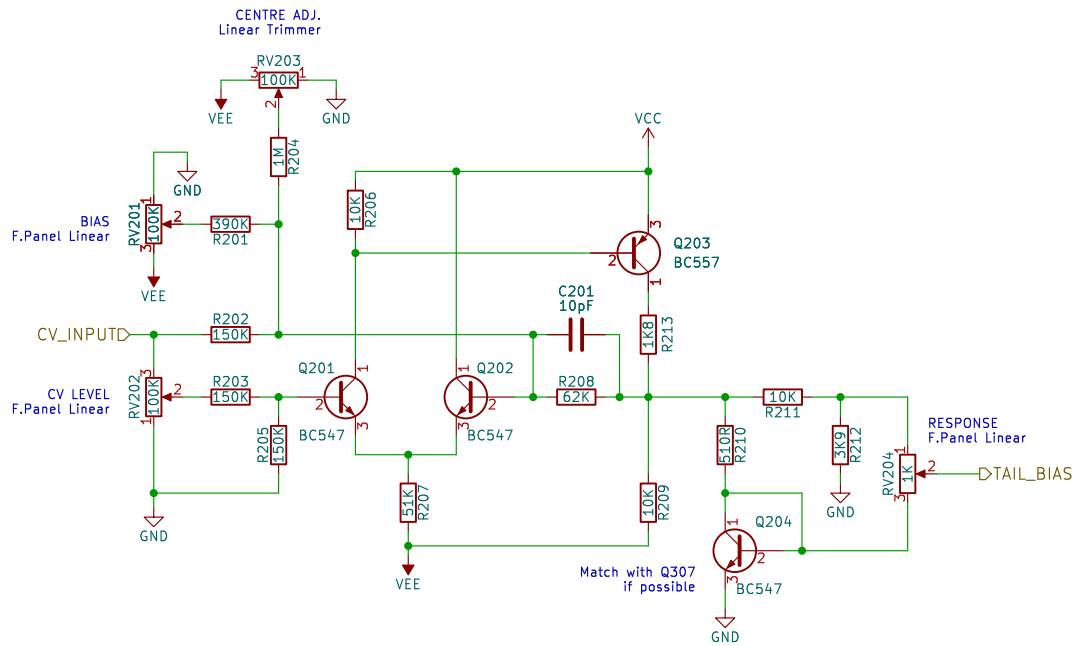
Sheet: /
 File: 1221_Discrete_VCA_v1.0.kicad_sch

Title:

Size: A4
 KiCad E.D.A. kicad 7.0.6

Date:

Rev:
 Id: 1/4



Sheet: /1221_02_CVInputs/
 File: 1221_02_CVInputs.kicad_sch

Title:

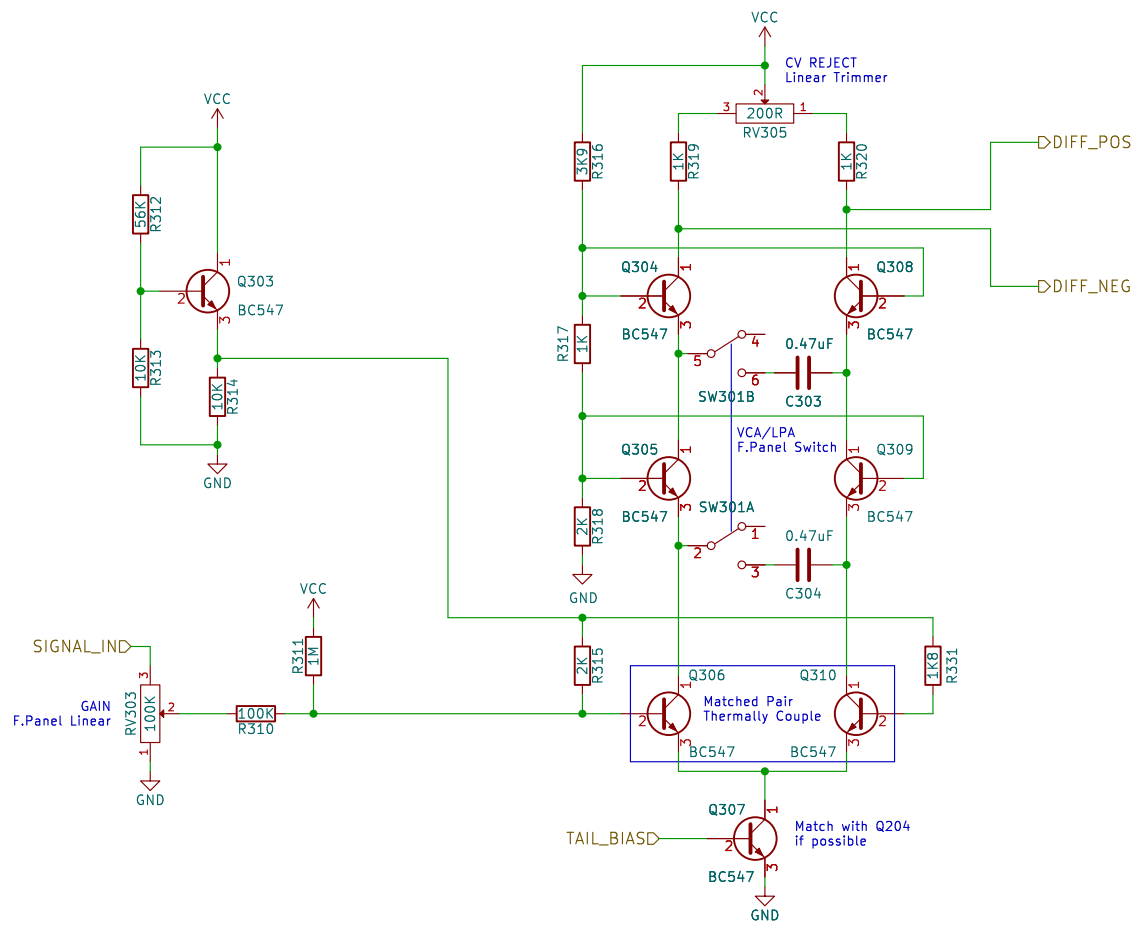
Size: A4

Date:

KiCad E.D.A. kicad 7.0.6

Rev:

Id: 2/4



Sheet: /1221_03_Core/
 File: 1221_03_Core.kicad_sch

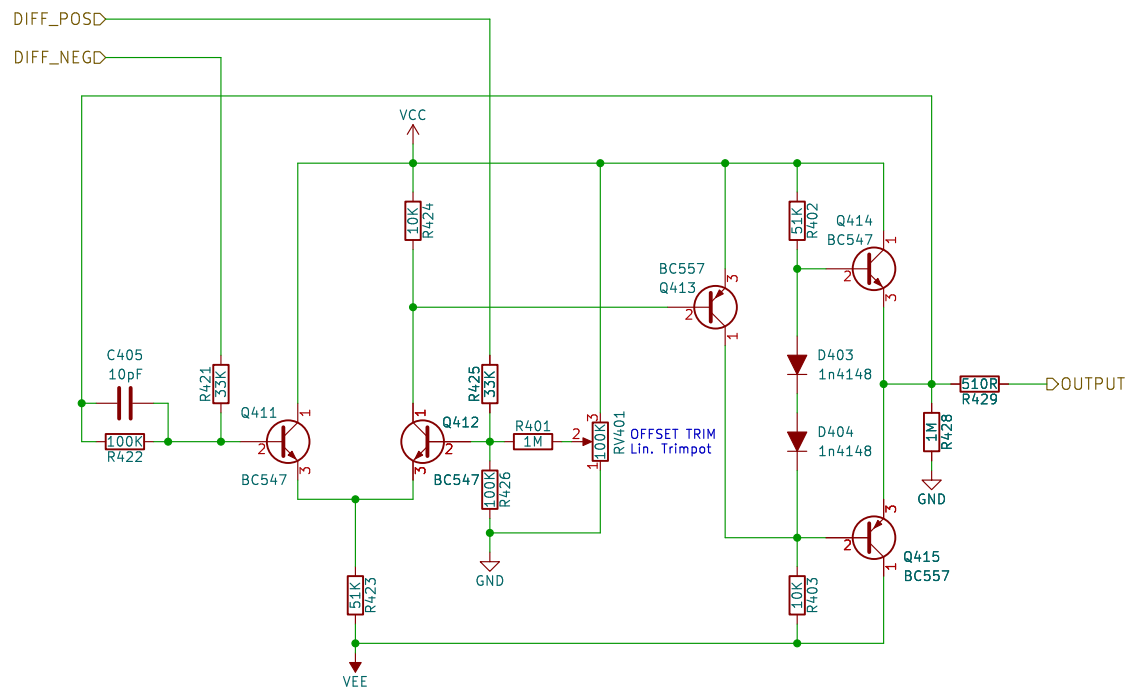
Title:

Size: A4
 KiCad E.D.A. kicad 7.0.6

Date:

Rev:

Id: 3/4



Sheet: /1221_04_DiffAmp/
 File: 1221_04_DiffAmp.kicad_sch

Title:

Size: A4
 KiCad E.D.A. kicad 7.0.6

Date:

Rev:
 Id: 4/4